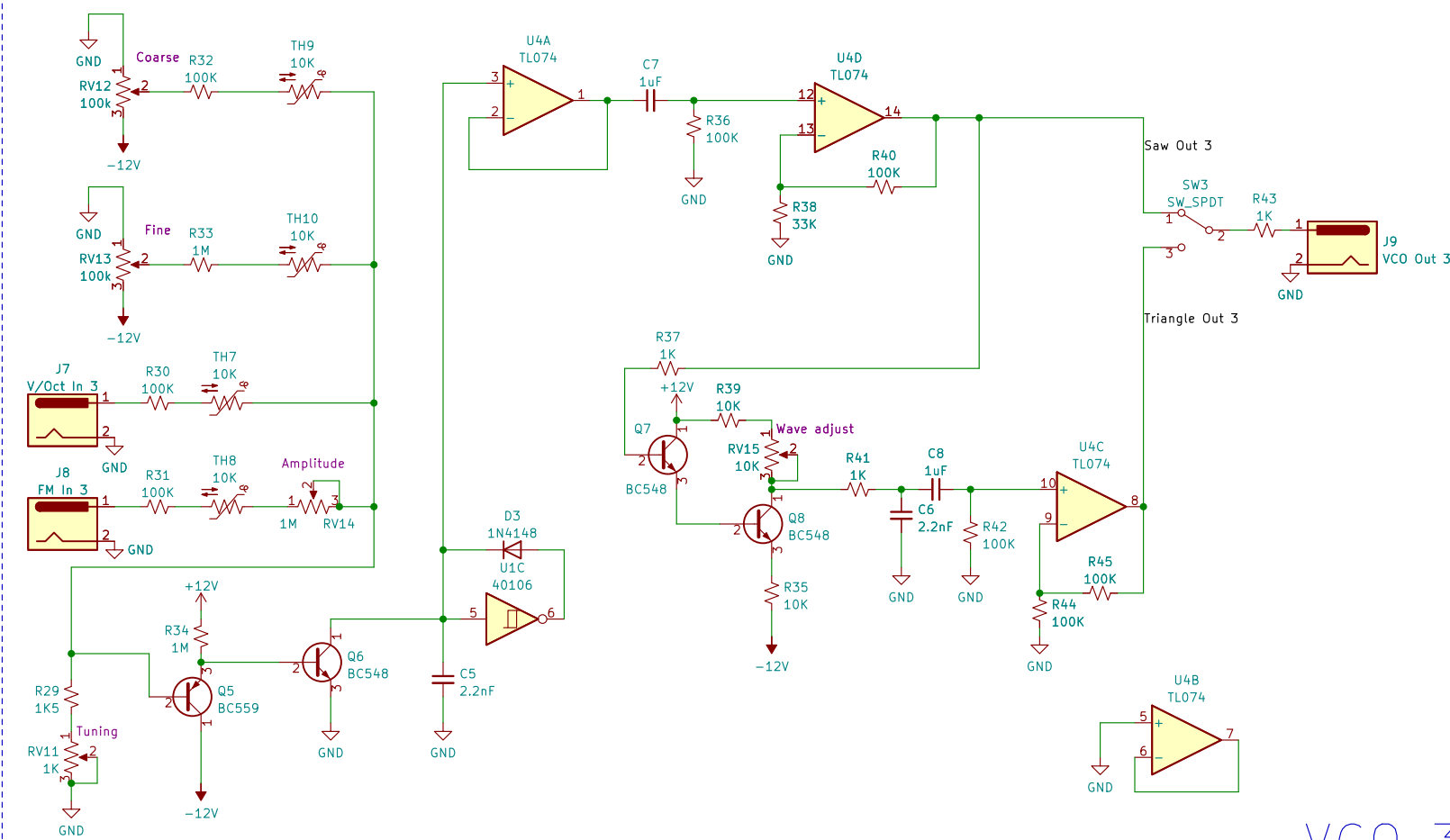
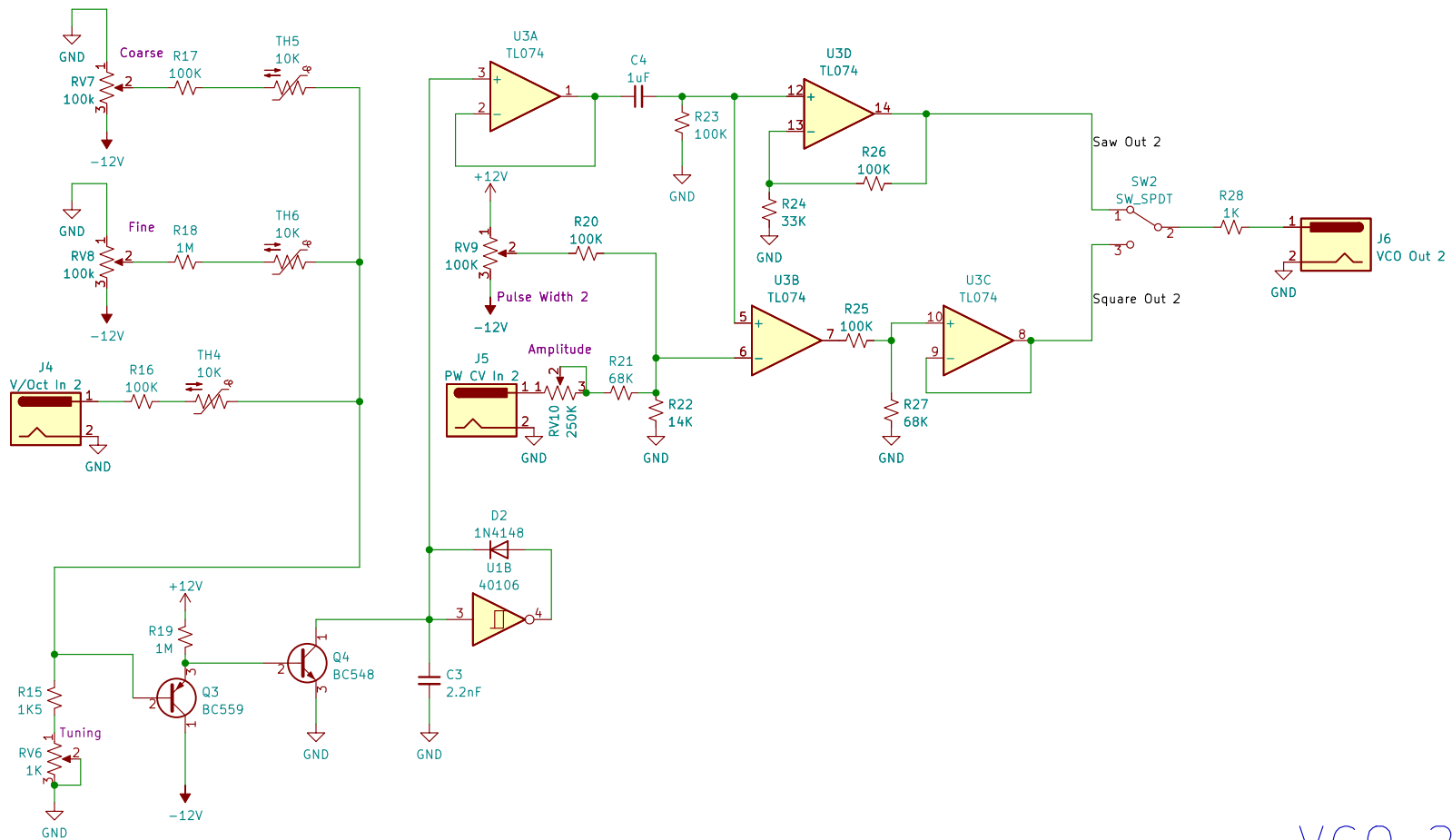


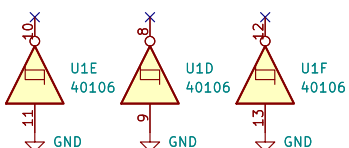
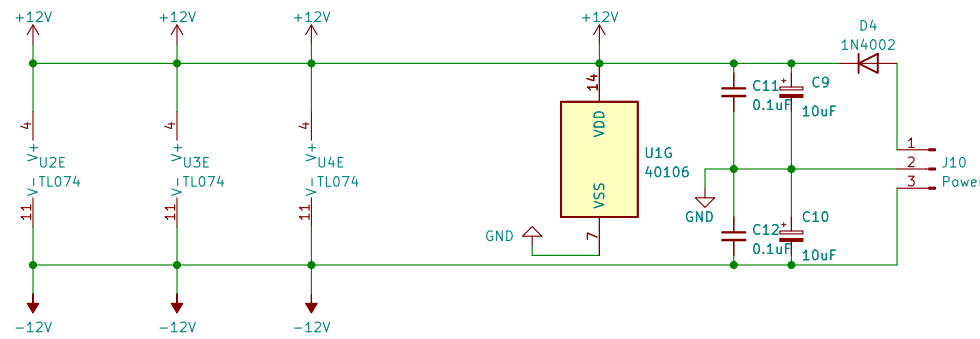
VCO 1



VCO 3



VCO 2



Based off the design by Moritz Klein

Sheet: /		File: Shapes VCO 1.1.kicad_sch	
<b>Title: Shapes VCO</b>			
Size: User	Date: 2023-02-12	Rev: 1.1	
KiCad E.D.A. kicad (6.0.10)		Id: 1/1	